



opus

OpUs Technology

OpUs Evolution



opus One**P**ak™ **U**niversal **S**prayer

The only trigger sprayer to combine:

- ◆ Any thinkable feature
- ◆ 100% polyolefin plastics
- ◆ Precompression
- ◆ Double shroud
- ◆ Child safety options
- ◆ Screw-cap or Snap-on
- ✓ Truly Universal
- ✓ Ecologically friendliest
- ✓ Superb sprayer action
- ✓ Economic customized design
- ✓ CRC Certifiable
- ✓ Closure choice

OpUs Technology

Materials

- 100% Polyolefin plastics
- PP : Polypropylene
- PE : Polyethylene

All plastic sprayers currently in the market combine PP and PE with PET/ PO/ PA to be able to avoid non-plastic parts. Different plastic families are mixed, resulting in a difficult and expensive recycling process.

Until now....

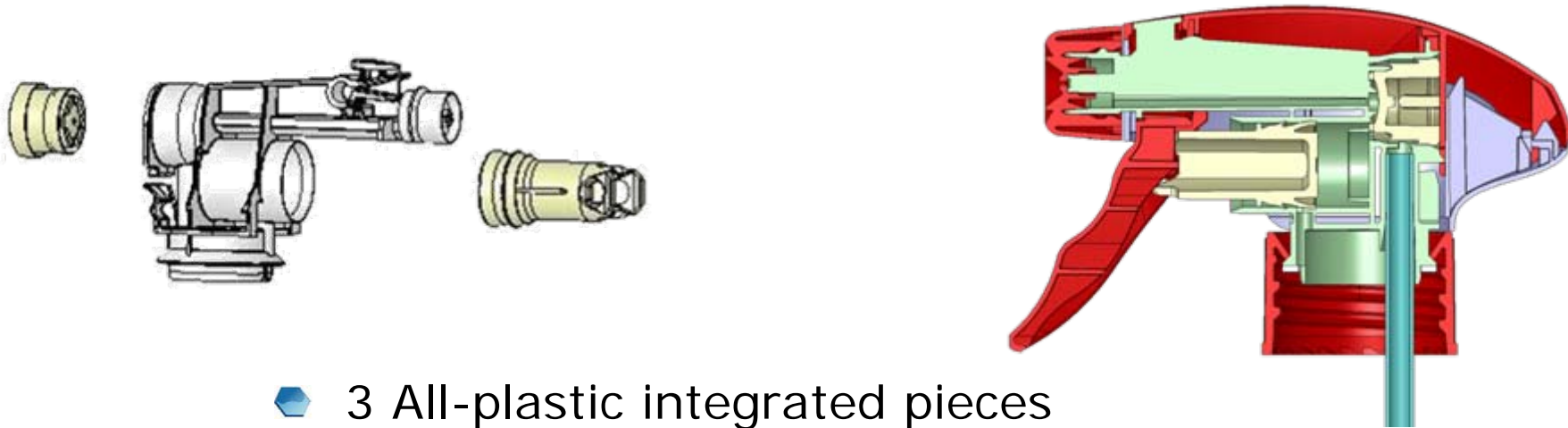


AFA Polytek again sets the standard with the first all-polyolefin plastic sprayer. OpUs is the only sprayer in the market made of 100% polyolefin plastics. OpUs is ready for upcoming E.U. laws in plastics recycling.

OpUs Technology

Hydraulic OnePak™ Engine

The best functional and most effective system of its kind



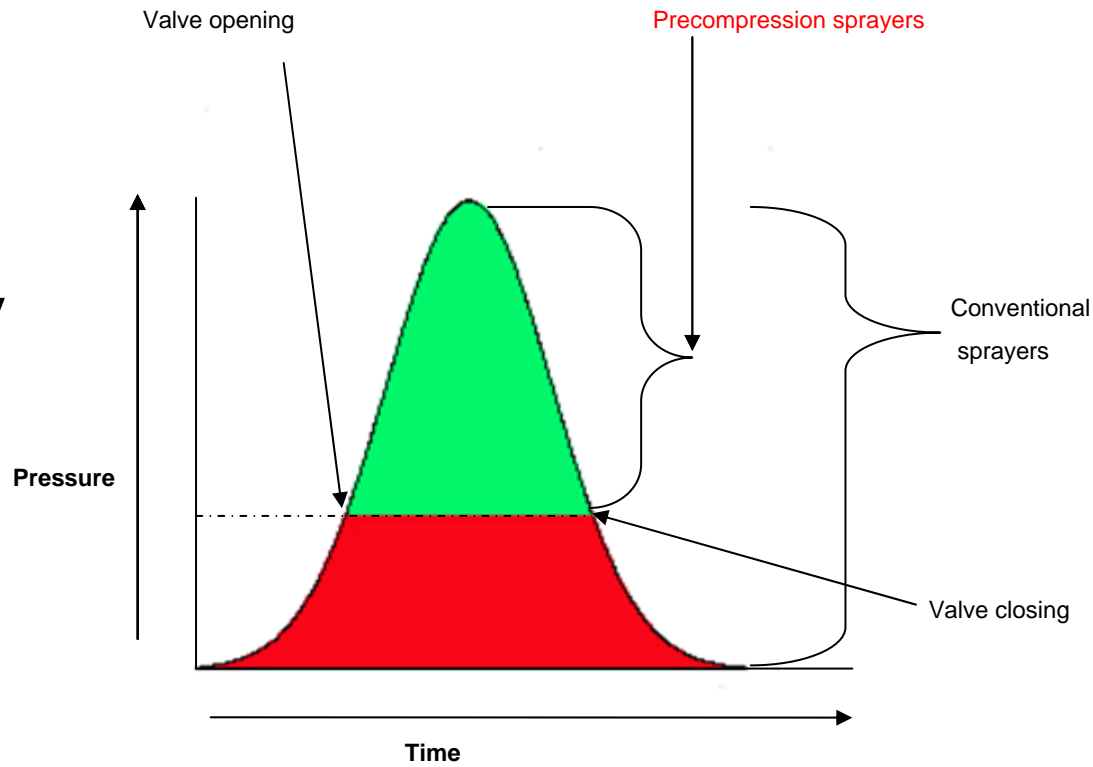
- ◆ 3 All-plastic integrated pieces
- ◆ 3 internal parts in contact with liquid
- ◆ Closed valve system
- ◆ Hydraulic pump – no air mixed
- ◆ Precompression engine

OpUs Technology

Hydraulic OnePak™ Engine

Effects

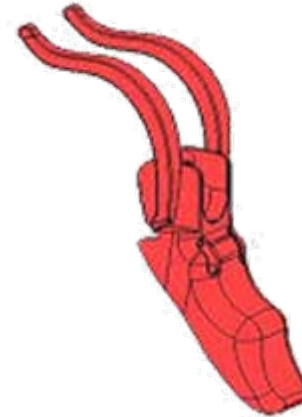
- Constant accurate output
- Minimum fallout – no drips
- Once primed always ready
- Always closed
- No leaking when nozzle is open
- Best possible spray action



OpUs Technology

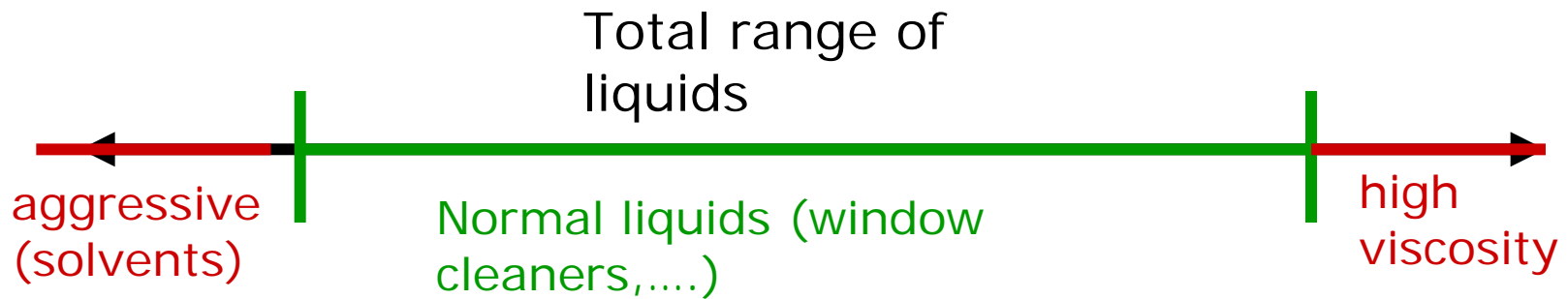
State-of-the-Art spring technology

- ◆ Fully plastic spring
- ◆ Integrated with the trigger
- ◆ Not in contact with liquids



OpUs Technology

Compatibility



OpUs Features

- ◆ Colors
- ◆ Closure options
- ◆ Customization
- ◆ CRC Certification
- ◆ Options
- ◆ Designed for growth



OpUs Features

Overview

	Features	OpUs Basic	OpUs Advanced	OpUs Xtra
Spray patterns	Nozzle Spray Narrow Angle	•	•	•
	Nozzle Foam Pipe	•	•	•
	Nozzle Foam Pipe foam insert		•	•
	Nozzle Trio (spray/off/stream)		•	•
	Nozzle SOF (spray/off/foam)			•
	Nozzle Foam CR (child resistant)		•	•
Trigger /actuator	Short	•	•	•
	Long			•
Design	Upper shroud (standard)	•	•	•
	Lower shroud (standard)	•	•	•
	Upper shroud (customized)			•
	Lower shroud (customized)			•
Specialties	Output	1,15cc	1,15 or 1,35cc	1,15 or 1,35cc
	Upside-Down			•
Colors Policy	Trigger; nozzle; cap	7 standard colors	7 standard colors	Customized
	Upper & Lower shroud	White only	7 standard colors	Customized

OpUs Features

Colors

- ◆ 7 standard colors (blue, yellow, white, green, red, transparent, black)*
- ◆ Customer specific colors possible



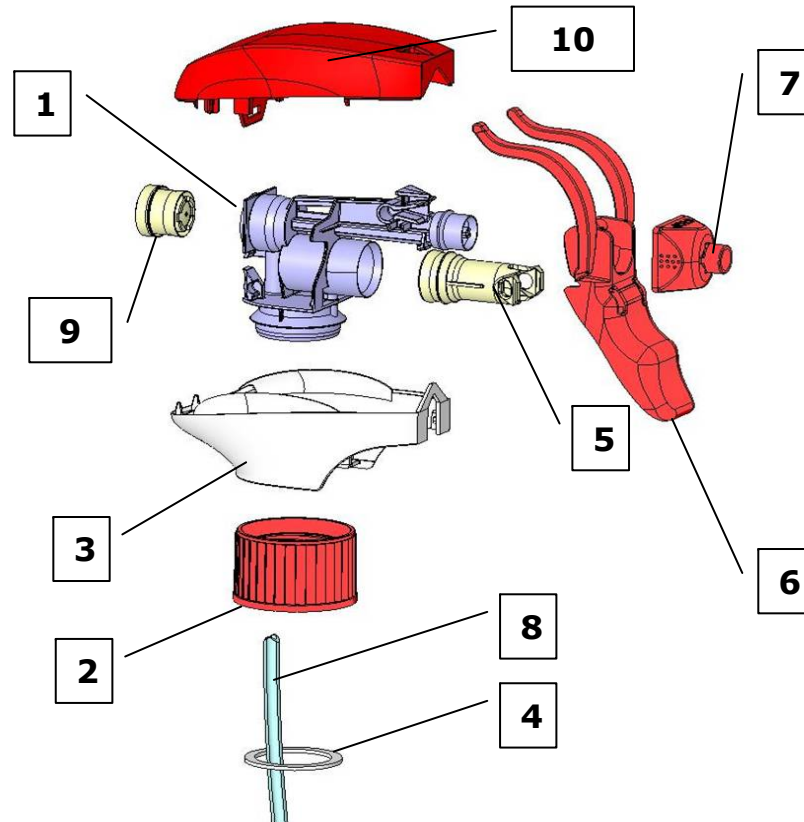
* Displayed colors are indicative

OpUs Features

Closure options

Screw-cap sprayer parts

- 1 Body Screw-cap
- 2 Screw-cap
- 3 Lower Shroud
- 4 Gasket
- 5 Piston
- 6 Trigger
- 7 Nozzle
- 8 Dip tube
- 9 Dome valve
- 10 Upper Shroud

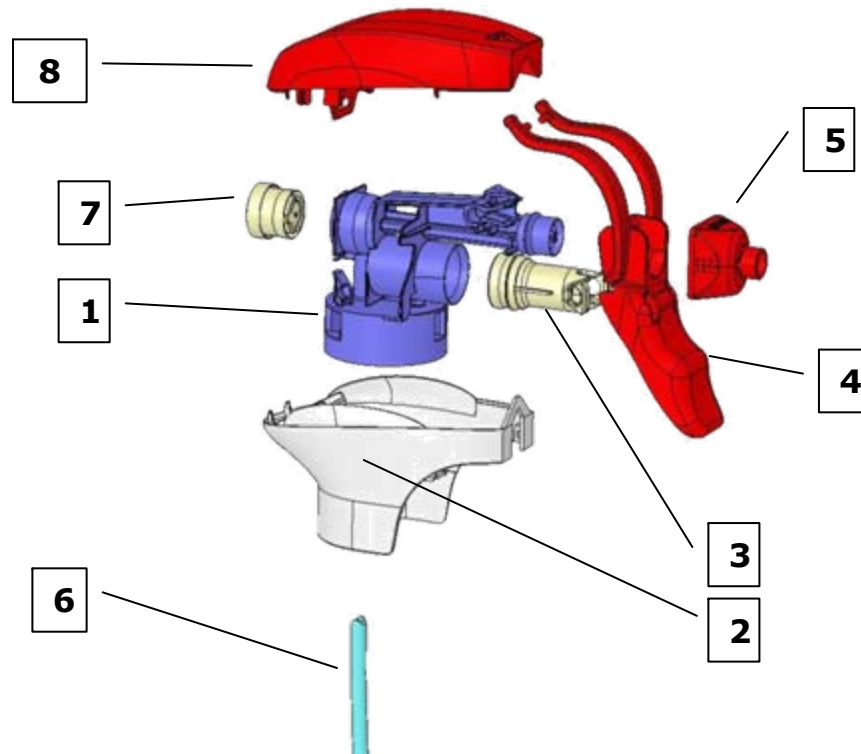


OpUs Features

Closure options

Snap-on sprayer parts

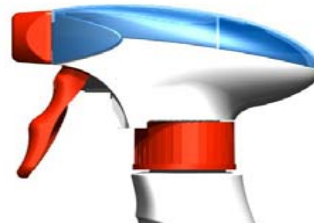
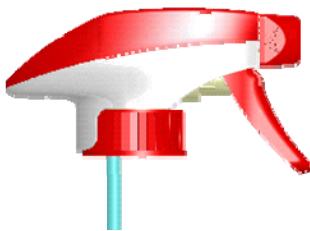
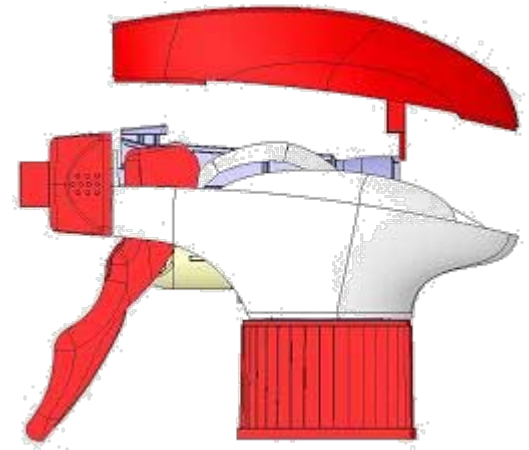
- 1 Body Bayonet
- 2 Lower Shroud
- 3 Piston
- 4 Trigger
- 5 Nozzle
- 6 Dip tube
- 7 Dome valve
- 8 Upper Shroud



OpUs Features

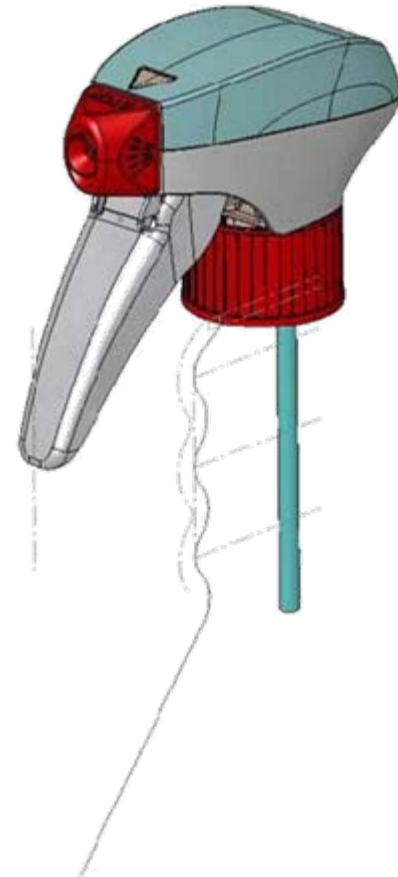
Customization

- ◆ Customizable colors and transparencies
- ◆ Emboss brand logo in the upper shroud
- ◆ Customize the shape of upper shroud



OpUs Advantages

- ◆ Growth driver
- ◆ Production friendly
- ◆ Consumer friendly
- ◆ Environmental friendly
- ◆ Universally applicable
- ◆ Track multinational brands



OpUs Advantages

Growth Driver

The OpUs strongly stimulates (retail) sales-volume growth...

By winning the battle for

Consumer Attention

& Brand Loyalty

- ◆ Shelf impact
- ◆ Superb performance
- ◆ 0 Defect – 0 complaints
- ◆ OpAd Experience – Henkel growth

OpUs Advantages

Production friendly

- ◆ Higher line output / Faster capping
- ◆ Full Product and filling-line support
- ◆ Full product traceability
- ◆ No spin issues at assembly, packaging and transport
- ◆ Snap-on or screw bottle closure
- ◆ Bottle supplier contacts

OpUs Advantages

Consumer friendly

- ◆ Fully adaptable to end-user wishes
- ◆ Precompression performance
 - Liquid versatility
 - No dripping or leaking
 - Perfect high output spray pattern and trigger action
 - Zero defect
 - Lower priming requirements
 - Once primed always ready
- ◆ Appealing design and colors
- ◆ Child resistance option
- ◆ Ergonomic trigger feel
- ◆ Up-side-down feature

OpUs Advantages

Environmental Advantages

- All plastic **Polyolefin**
 - Easily *100% recyclable* trigger sprayer
 - Ready for future EU packaging waste-disposal laws
- No metal
 - Less energy used during component manufacturing
- 10 parts per sprayer
 - Less parts storage space needed during production
 - Less manufacturing energy used for components
- ISO 14001 certification China
 - Manufacturing according to ISO environmental management standards

OpUs Advantages

Universal applicable

- Closure choice
 - Snap-on closure
 - Screw cap closure
- Any thinkable feature
- Liquid versatility
 - Low viscosity to high viscosity
- Broad customization options
 - Shroud
 - Colors
 - trigger

OpUs Advantages

Track Multinationals

- ◆ A-brand upgrading
 - New design
 - Higher performance
- ◆ Immediate shelf impact
- ◆ Assured brand loyalty
- ◆ Sales growth